

Find more free patterns in  
[Free Pattern Library](#) &  
[previous issues of KnitBits](#)

**FREE  
 PATTERNS**

**Wisteria** knit in **Smart™ Mohair**  
 Skill level: Intermediate



A sweater that has evolved from the poncho, Wisteria is a trapeze raglan turtleneck pullover. It features a tree design composed of cables and bobbles. As opposed to sleeves, it has cuffs that join the bottom front and back hems.



[PDF Instructions](#)

(If you can't open this PDF file you need Adobe Acrobat Reader. Get it [here](#).)

**Shown in size Small.**

**SIZES**

Directions are for women's size Small. Changes for sizes Medium and Large are in parentheses.

**FINISHED MEASUREMENTS**

Bust – 40(44-48)“

Length – 26 1/2(27-27 1/2)“

**MATERIALS**

13(14-15) Balls [BERROCO SMART MOHAIR](#) (50 grs), # 8803 Dolphin

Straight knitting needles, sizes 9 and 10 1/2 OR SIZE TO OBTAIN GAUGE

16“ Length circular knitting needle, size 9

Cable needle (cn).  
2 Stitch markers  
Yarn needle

## GAUGES

16 sts = 4"; 20 rows = 4" in St st on size 10 1/2 needles  
50 sts = 11 1/2"; 20 rows = 4" in Twining Vine Pat on size 10 1/2 needles  
TO SAVE TIME, TAKE TIME TO CHECK GAUGE

## STITCH GLOSSARY

### SSSK

Sl 3 sts knitwise, insert point of LH needle through FRONTS of these 3 sts and k3tog

### CB2

Sl 1 st to cn and hold in BACK, k1, then k1 from cn

### CF2

Sl 1 st to cn and hold in FRONT, k1, then k1 from cn

### LT2

Sl 1 st to cn and hold in FRONT, p1, then k1 from cn

### RT2

Sl 1 st to cn and hold in BACK, k1, then p1 from cn

### MB (Make Bobble)

Knit, purl, knit, purl then knit all in next st. Turn. P5, then sl 2nd, 3rd, 4th, 5th st over 1st st – 1 st remains

**Note: On WS row, k the st remaining from making the bobble**

### TWINING VINE PATTERN (Worked over 50 sts)

**Row 1 (RS):** \* P7, CB2, k1, p3, LT2, MB, rep from \* twice more, p2.

**Row 2 and all WS rows:** K the k sts and p the p sts as they face you.

**Row 3:**\* P6, RT2, k2, p3, MB, LT2, rep from \* twice more, p2.

**Row 5:**\* P5, RT2, p1, k2, p5, MB, rep from \* twice more, p2.

**Row 7:** \* P4, RT2, p2, k2, p6, rep from \* twice more, p2.

**Row 9:** \* P2, MB, RT2, p3, k1, CF2, p5, rep from \* twice more, p2.

**Row 11:** \* P2, RT2, MB, p3, k2, LT2, p4, rep from \* twice more, p2.

**Row 13:**\* P2, MB, p5, k2, p1, LT2, MB, p2, rep from \* twice more, p2.

**Row 15:** \* P8, k2, p1, MB, LT2, p2, rep from \* twice more, p2.

**Row 16:** Rep Row 2.

Rep these 16 rows for Twining Vine Pat.

## BACK

With smaller straight needles, cast on 150(158-166) sts.

**Row 1 (RS):** K2, \* p2, k2; rep from \* across.

**Row 2:** P2, \* k2, p2; rep from \* across.

Rep these 2 rows until piece measures 4" from beg, end on RS. Change to larger needles and p the next row, dec 37 sts across – 113(121-129) sts.

**Note:** The bottom of this garment is shaped using short rows. When working these rows you will work across part of a row, then turn and work back leaving some sts unworked. This makes the sides shorter than the center.

**Short Rows: Row 1 (RS):** K50, k center 13(21-29) sts, turn.

**Row 2 (WS):** P18(26-34), turn.

**Row 3 (RS):** K23(31-39), turn.

**Row 4 (WS):** P28(36-44), turn. Continue working short rows in this manner working 5 sts more each row before turning until all 113(121-129) sts have been worked. Work more 6 rows in St st, end on WS.

**Note:** The sleeves are sewn to the back and front all the way to the cast-on edge of

the back and front ribbing.

**Shape Raglan Armholes:** Dec Row (RS): K2, k3tog, k to last 5 sts, SSSK, k2 – 109(117-125) sts. Rep this dec every 4th row 13(17-22) times more, then every 6th row 5(3-0) times – 37 sts. Work even until piece measures approximately 24 1/2(25-25 1/2)" from beg when measured down center of piece. Bind off.

## FRONT

With smaller straight needles, cast on 150(158-166) sts. Work in ribbing same as back for 4", end on RS. Change to larger needles and p the next row, dec 30 sts across – 120(128-136) sts.

**Short Rows: Establish Twining Vine Pat: Row 1 (RS):** K35(39-43), place marker, work Row 1 of Twining Vine Pat across next 50 sts, place marker, turn.

**Row 2 (WS):** Work Row 2 of Twining Vine pat across center 50 sts, p4, turn.

**Row 3:** K4, work Row 3 of Twining Vine pat across center 50 sts, k4, turn.

Continue in this manner with Twining Vine pat on center 50 sts and working 4 sts more each row before turning 7(8-9) times in all, then 3 sts once, and 2 sts twice until all 120(128-136) sts have been worked. Work 6(4-2) rows even in pat as established, end on WS.

**Shape Raglan Armholes: Dec Row (RS):** K2, k3tog, k to 1st marker, continue center 50 sts in Twining Vine pat, k to last 5 sts, SSSK, k2 – 118(126-134) sts. Rep this dec every 4th row 16(20-22) times more, then every 6th row 3(1-1) times – 40 sts. Work even until piece measures 24 1/2(25-25 1/2)" from beg when measured down center of piece, end on WS. Bind off.

## SLEEVES

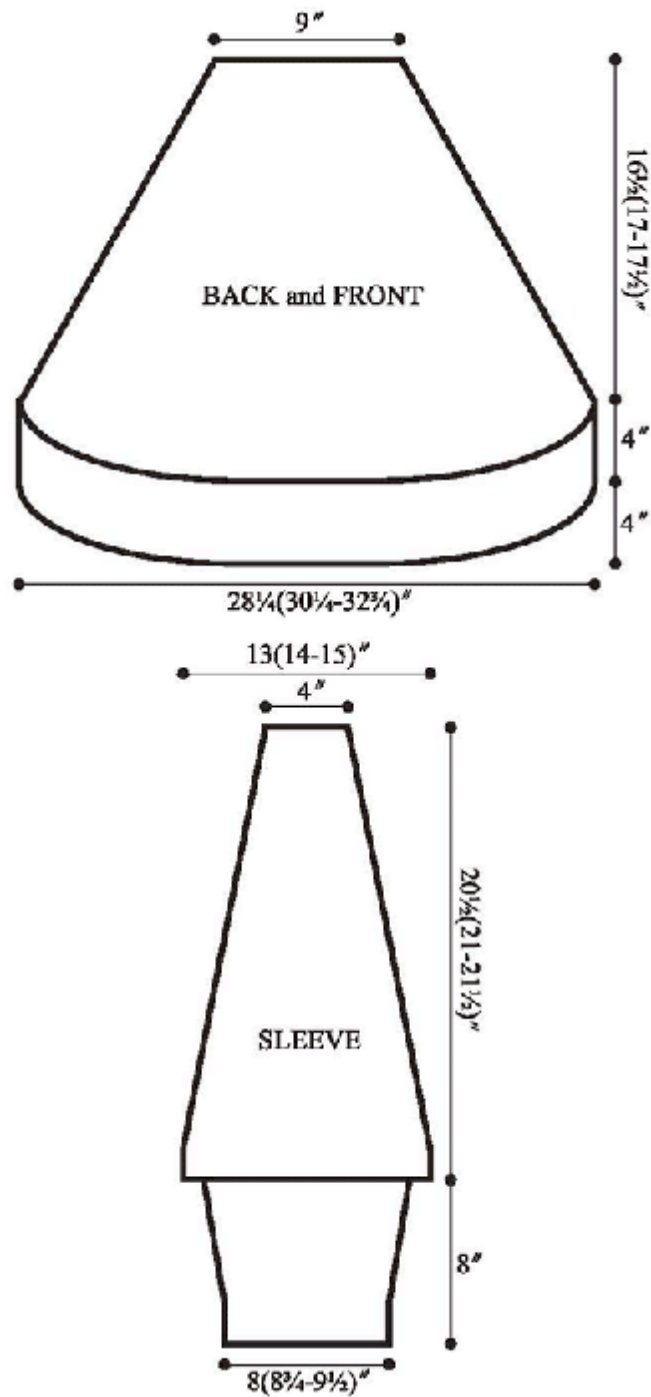
With smaller straight needles, cast on 42(46-50) sts. Work in ribbing same as back for 2". Continue in ribbing, inc 1 st at each end of next row, then every 1" 4 times more working added sts into rib pat as sts become available – 52(56-60) sts. Work even until ribbing measures 8" from beg, end on WS. Change to larger needles and work even in St st for 1 1/2", end on WS. Mark beg and end of last row.

**Shape Raglan Cap: Dec Row (RS):** K2, k3tog, k to last 5 sts, SSK3, k2 – 48(52-56) sts. Rep this dec every 10th row 0(2-6) times more, every 12th row 6(7-4) times, then every 14th row 2(0-0) times – 16 sts. Work even until sleeve measures 30(30 1/2-31)" from beg, end on WS. Bind off.

## FINISHING

Sew raglan sleeve caps to raglan armholes matching markers on sleeves with cast-on edge of ribbing on back and front. Sew sleeve seams.

**Turtleneck:** With RS facing, using circular needle, beg at left back raglan seam, pick up and k14 sts across top of left sleeve, 37 sts across front neck edge, 14 sts across top of right sleeve then 31 sts across back neck edge – 96 sts. Join and mark for beg of rnd, carry marker up. Work even in k2, p2 ribbing for 10". Bind off in ribbing.



[Home](#) | [Yarn Shops](#) | [Handeze® Glove](#) | [Free KnitBits®](#) | [Links](#) | [About Us](#)  
[New This Season](#) | [Yarn Boutique](#) | [Free Patterns](#) | [Scarf Central](#)  
[Contact Us](#) | [Privacy Statement](#) | [FAQs](#)



**NEW!** [Yarn Shops Locator](#)

**Berroco, Inc.**

P.O. Box 367, 14 Elmdale Road  
 Uxbridge, MA 01569-0367 USA

