

Wee Willie Layette & Shortie

Designed by the Berroco Design Team / Skill level: Intermediate



SIZES

Directions are for infant's size Small (6 mos). Changes for sizes Medium (12 mos) and Large (18 mos) are in parentheses.

FINISHED MEASUREMENTS

Sweater: Chest: 18 (20, 22)"
Length: 11 (12, 13)"
Hat and Booties: One size
Shortie: Waist: 18 (20, 22)"
Length: 8 (9, 10)"
Shown in size Small (6 mos).

YARN

BERROCO COMFORT CHUNKY
(100 grs): 2 balls each #5747 Cadet (C1) and #5701 Ivory (C2) for Sweater, Hat, and Booties; 2 balls #5747 Cadet (C1) for Shortie

NEEDLES and NOTIONS

Knitting needles, size 10½ (6.5 mm) or size to obtain gauge
Three 1" buttons for sweater
2 stitch holders for booties
Tapestry needle for Hat

GAUGE

14 sts and 20 rows = 4" in St st
To save time and ensure accurate measurements, take time to check gauge.

Berroco Comfort® Chunky

Find this Yarn



We recommend using yarns called for in our instructions. Every effort has been made to ensure that directions contained in this book are accurate and complete, however errors do occur. We cannot be responsible for variance of individual knitters, human or typographical errors.

All pattern PDFs are updated when corrections are made. In the event of finding an error, please make sure you've downloaded the most recent version.

STRIPE SEQUENCE

* Working in St st, work 6 rows C2, then 6 rows C1. Rep from * for Stripe Sequence.

SWEATER

BACK

With C1, cast on 37 (39, 43) sts.

Set Up Rib: Row 1 (RS): K1, * p1, k1; rep from * across.

Row 2: P1, * k1, p1; rep from * across. Rep these 2 rows until piece measures 1" from beginning, end on RS. Purl the next row, dec 3 (2, 3) sts across—34 (37, 40) sts. Join C2 and work even in St st following Stripe Sequence until piece measures 6 (6½, 7)" from beginning, end on WS.

Shape Raglan Armholes: Bind off 4 sts at beginning of the next 2 rows—26 (29, 32) sts. Dec 1 st each side every 4th row twice, then every RS row 6 (7, 8) times—10 (11, 12) sts. Work even if necessary until armholes measure 4 (4½, 5)", end on WS. Bind off.

FRONT

Work as for back until piece measures 6 (6½, 7)" from beginning, end on WS—34 (37, 40) sts.

Shape Raglan Armholes: Bind off 4 sts at beginning of the next 2 rows—26 (29, 32) sts. Dec 1 st each side every RS row 8 (9, 10) times—10 (11, 12) sts. Work even if necessary until armholes measure 3 (3½, 4)", end on WS. Bind off.

LEFT SLEEVE

With C1, cast on 21 (21, 23) sts. Work in ribbing as for back for 1", end on WS. Join C2 and work in St st, following Stripe Sequence, inc 1 st each side every 2 (1½, 2)" 2 (3, 3) times—25 (27, 29) sts. Work even until sleeve measures 6 (7, 8)" from beginning, end on WS.

Note: Due to the shaping of cap (see schematic), decs are worked at each edge at different intervals from each other. You must keep track of each edge separately. Please read through this entire section before starting to knit.

Shape Raglan Cap: Bind off 4 sts at beginning of the next 2 rows—17 (19, 21) sts. Dec 1 st at beginning of RS rows every 4th row 5 times, then every RS row 0 (1, 2) time(s).



AT THE SAME TIME, dec 1 st at end of RS rows every 4th row 3 times, then every RS row 2 (3, 4) times. When all decs at end of RS rows have been completed, continue to work decs at beginning of RS rows. AT THE SAME TIME, bind off 4 sts at beginning of WS rows once, then 3 sts once.

RIGHT SLEEVE

Work as for left sleeve until sleeve measures 6 (7, 8) from beginning, end on WS—25 (27, 29) sts.

Shape Raglan Cap: Bind off 4 sts at beginning of the next 2 rows—17 (19, 21) sts. Dec 1 st at end of RS rows every 4th row 5 times, then every RS row 0 (1, 2) time(s). AT THE SAME TIME, dec 1 st at beginning of RS rows every 4th row 3 times, then every RS row 2 (3, 4) times. When all decs at beginning of RS rows have been completed, continue to work decs at end of RS rows. AT THE SAME TIME, bind off 4 sts at beginning of RS rows once, then 3 sts once.

FINISHING

Back Left Raglan Band: With RS facing, using straight needles and C1, begin at left neck edge, pick up and knit 23 (25, 27) sts along left raglan armhole to bound-off stitches. Beginning with Row 2, work in ribbing as for back for 1", end on WS. Bind off knitwise. Sew bound-off edge to back of raglan sleeve cap on left sleeve.

Back Right Raglan Band: Beginning at bound-off stitches, work as for back left raglan band. Sew bound-off edge to back of raglan sleeve cap on right sleeve.

Front Right Raglan Band: With RS facing, using C1, begin at right neck edge, pick up and knit 19 (21, 23) sts along right raglan armhole to bound-off stitches. Complete as for back



left raglan band. Sew bound-off edge to front of raglan sleeve cap on right sleeve.

Neckband: With RS facing, using C1, begin at top of left raglan armhole on front, pick up and knit 37 (41, 45) sts along front neck, right sleeve, back neck and left sleeve edges. Beginning with Row 2, work in ribbing as for back for 1", end on WS. Bind off in ribbing.

Left Front Raglan Buttonhole Band: With RS facing, using C1, begin at bound-off sts, pick up and knit 21 (23, 25) sts along left raglan armhole and edge of neckband. Beginning with Row 2, work in ribbing as for back for ½", end on WS.

Buttonhole Row (RS): Work 3 (3, 4) sts, yo, k2tog, * work 5 (6, 6) sts, yo, k2tog; rep from * once more, work to end. Complete as for back left raglan band. Do not sew to front of left raglan sleeve cap.

Left Front Raglan Button Band: Begin at top of sleeve cap, work as for left front raglan buttonhole band, omitting buttonholes. Sew bound-off sts of back fronts and sleeves together with lower edges of bands. Sew side and sleeve seams. Sew on buttons. Weave in all ends and block as desired.

HAT

With C1, cast on 59 sts. Work in ribbing as for back of sweater for 1", end on WS. Join C2 and work even in St st, following Stripe Sequence for 4", end on WS, dec 1 st at end of last row—58 sts.

Dec Row 1 (RS): K3, * k2tog, k3; rep from * across—47 sts. Work even for 1", end on WS.

Dec Row 2 (RS): K3, * k2tog, k2; rep from * across—36 sts. Work even for 1", end on WS.

Dec Row 3 (RS): K3, * k2tog, k1; rep from * across—25 sts.

Work even for 1", end on WS.

Dec Row 4 (RS): * K3, k2tog; rep from * across—20 sts. Work even for 1", end on WS.

Dec Row 5 (RS): * K2tog; rep from * across—10 sts.

Dec Row 6 (WS): * P2 tog; rep from * across—5 sts. Break off yarn leaving a long end for sewing. Thread end into tapestry needle and draw through all sts on needle. Pull up tightly and secure. Sew back seam.

FINISHING

Make a 2½" pompon using C1 and C2 and sew to top of hat. Weave in all ends and block as desired.

BOOTIES (Make 2)

With C1, cast on 25 sts. Work in ribbing as for back of sweater for 1", end on WS, dec 1 st each end of last row—23 sts. Join C2 and work even in St st, following Stripe Sequence until piece measures approximately 3" from beginning, end on WS with Row 10 of Stripe Sequence.

Eyelet Row (RS): K1, * k2tog, yo; rep from * across, end k2—10 eyelets. Purl 1 row.

Shape Instep: Still following Stripe Sequence, k8 and slip these stitches onto a holder, k7, slip remaining 8 sts onto another holder—7 sts. Beginning with a purl row, work even in St st for 2", end on WS.

Foot: With RS facing, slip 8 sts from first holder onto straight needle, pick up and knit 9 sts along side of instep, k7, pick up and knit 9 sts along the other side of instep, k8 sts from second holder—41 sts. Beginning with a purl row, work even in St st, following Stripe Sequence, for 1", end on WS.

Dec Row 1 (RS): K2tog, k16, SSK, k1, k2tog, knit to last 2 sts, SSK—37 sts. Purl 1 row.

Dec Row 2 (RS): K2tog, k14, SSK, k1, k2tog, knit to last 2 sts, SSK—33 sts. Purl 1 row.

Dec Row 3 (RS): K2tog, k12, SSK, k1, k2tog, knit to last 2 sts, SSK—29 sts. Purl 1 row. Bind off.

FINISHING

Fold bootie in half and sew cast-on edges together. Sew back seam. Weave in all ends and block as desired.

Twisted Cord: Cut one 77" long strand each of C1 and C2. Put strands together and fold in half. Tie ends in a knot. Holding the knot in your hand, slip the loop over a hook and pull tight. Slip a pencil through the knotted end and twist until cord is so tight that it can't be twisted further and starts to double back on itself. Put 1 finger in center of cord and carefully fold in half, letting 2 ends of cord twist together. Knot both ends leaving 1" free for tassels. Beginning and ending at center front, weave cord in and out of eyelet row. Tie at center front.

SHORTIE

Note: Shortie is worked from the top down.

BACK

With C1, cast on 31(35, 39) sts.

Ribbing: Row 1 (RS): K1, * p1, k1; rep from * across.

Row 2: P1, * k1, p1; rep from * across. Rep these 2 rows until piece measures 1½" from beginning, end on WS. Work even in St st until piece measures 4 (4½, 5)" from beginning, end on WS.

Shape Leg Openings: Dec 1 st each side on next row, every RS row 5 (3, 3) times more, then every 4th row 2 (4, 5) times—15 (19, 23) sts. Work even if necessary until piece measures 8 (9, 10)" from beginning, end on WS. Bind off.

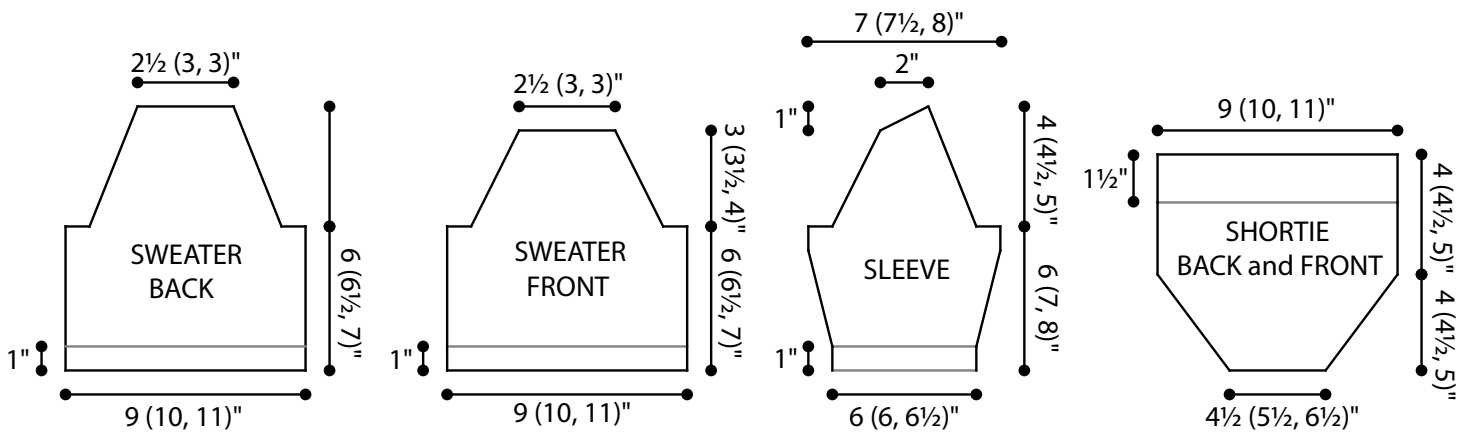
FRONT

Work as for back.

FINISHING

Sew side seams.

Leg Bands: With RS facing, using C1, pick up and knit 31(39, 45) sts around entire leg opening. Beginning with Row 2, work in ribbing as for back for ¾", end on WS. Bind off loosely in ribbing. Sew crotch and leg band seams. Weave in all ends and block as desired.



STANDARD ABBREVIATIONS & TERMS

beg: beginning
CC: contrasting color
CDD: Centered Double Decrease—Slip 2 together (as if to k2tog), knit 1, pass the 2 slipped stitches over
cn: cable needle
dec: decrease
dpn(s): double pointed needle(s)
end on WS: end having just completed a Wrong Side row.
end on RS: end having just completed a Right Side row
Garter St: Knit EVERY row when working back and forth in rows. Knit 1 round, purl 1 round when working in the round.
inc: increase
k: knit
k tbl: knit through the back loop(s)
k2tog: knit 2 stitches together
k3tog: knit 3 stitches together
kfb: knit in the front and back of the next st
LH: left hand
LLI: Left Lifted Increase—Insert LH needle into the purl bump one row below the st just worked on the RH needle and knit into this st (1 st inc'd)
M1: Make 1—Pick up horizontal strand between stitch just worked and next stitch from front to back, place on left hand needle, knit this stitch through the back (1 stitch increased).
M1L: Make 1 Left—Work as for M1.
M1p: Make 1 purl—Pick up horizontal strand between stitch just worked and next stitch from front to back, place on left hand needle, purl this stitch through the back (1 stitch increased).
M1pL: Make 1 purl Left—Work as for M1p.
M1pR: Make 1 purl Right—Pick up horizontal strand between stitch just worked and next stitch from back to front, place on left hand needle, purl this stitch through the front (1 stitch increased).
M1R: Make 1 Right—Pick up horizontal strand between stitch just worked and next stitch from back to front, place on left hand needle, knit this stitch through the front (1 stitch increased).
MC: main color
p: purl
p tbl: purl through the back loop(s)
p2tog: purl 2 stitches together
p3tog: purl 3 stitches together
pat(s): pattern(s)

pm: place marker
psso: pass slipped stitch over knit stitch
rep: repeat
Rev St st: Reverse Stockinette Stitch—Purl 1 row, knit 1 row alternately when working back and forth in rows. The purl side is the right side of the work. Purl EVERY round when working in the round.
RH: right hand
RLI: Right Lifted Increase—Insert RH needle into the purl bump of the next st on the LH needle and knit into this st (1 st inc'd)
rnd(s): round(s)
RS: right side
sl: slip
sm: slip marker
SSK: Slip 2 stitches knitwise, insert point of left hand needle through fronts of these 2 stitches and knit 2 together.
SSP: Slip 2 stitches knitwise, transfer these 2 stitches back to left hand needle, purl 2 together through the back loops.
SSSK: Slip 3 stitches knitwise, insert point of left hand needle through fronts of these 3 stitches and knit 3 together.
st(s): stitch(es)
St st: Stockinette Stitch—Knit 1 row, purl 1 row alternately when working back and forth in rows. The knit side is the right side of work. Knit EVERY round when working in the round.
tbl: through back loop(s)
w&t: wrap and turn, a method of concealing a hole created in short row shaping. On RS rows: With yarn held in front, slip next stitch purlwise, then bring yarn between needles to the back. Slip that same stitch back to the left needle. Turn your work. On WS Rows: With yarn held in back, slip next stitch purlwise, then bring yarn between needles to the front. Slip that same stitch back to the left needle. Turn your work. Unless otherwise indicated, each time you come to a wrapped stitch when working subsequent rows, slip the wrap back over stitch and onto needle, then work the wrap together with its accompanying stitch.
WS: wrong side
wyib: with yarn in back
wyif: with yarn in front
yo: yarn over

Love Berroco patterns?
 Sign up for our **KnitBits®** newsletter.

