

Drift

Berroco - Drift
version 4

Designed by Norah Gaughan



skill level: Intermediate
Shown in size small

measurements

Bust (closed) – (32, 36, 40) [44, 48, 52] {56, 60, 64}"

Length – (24½, 25, 25½) [25½, 26, 26] {26½, 26½, 27}"

materials

(6, 6, 7) [7, 8, 9] {10, 11, 12} hanks
BERROCO VINTAGE (100 grs),
#5167 Dewberry

Knitting needles, sizes 5 (3.75 mm) and 7 (4.50 mm) OR SIZE TO OBTAIN GAUGE

36" circular knitting needle, size 5 (3.75 mm)

4 St markers

Six 1" buttons

gauge

20 sts = 4"; 26 rows = 4" in St st and Double Seed St on larger needles

38 sts = 6"; 26 rows = 4" in Pat St on larger needles

TO SAVE TIME, TAKE TIME TO CHECK GAUGE

Berroco Vintage®

Find this Yarn 

 BERROCO®
www.berroco.com

Love Berroco patterns?
Sign up for our KnitBits® newsletter.



NOTE: We recommend using yarns called for in our instructions. Every effort has been made to ensure that directions contained in this book are accurate and complete, however errors do occur. We cannot be responsible for variance of individual knitters, human or typographical errors.

All pattern PDFs are updated when corrections are made. In the event of finding an error, please make sure you've downloaded the most recent version.

DOUBLE SEED STITCH (Multiple of 4 sts + 2)

Row 1 (RS): K2, * p2, k2, rep from * across.

Row 2: P2, * k2, p2, rep from * across.

Row 3: Rep Row 2.

Row 4: Rep Row 1.

Rep these 4 rows for Double Seed St.

PATTERN STITCH (Worked over 38 sts)

Note: Pattern Stitch contains ribbed sections with Double Seed St sections in between.

Row 1 (RS): P2, k2, (p2, k1TBL) twice, (p2, k2) 4 times, (p2, k1TBL) twice, p2, k2, p2.

Row 2: K2, p2, (k2, p1TBL) twice, (k2, p2) 4 times, (k2, p1TBL) twice, k2, p2, k2.

Row 3: P2, k2, (p2, k1TBL) twice, (p2, k2, p2) twice, p2, k2, (p2, k1TBL) twice, p2, k2, p2.

Row 4: K2, p2, (k2, p1TBL) twice, (k2, p2, k2) twice, k2, p2, (k2, p1TBL) twice, k2, p2, k2.

Rep these 4 rows for Pat St.

BACK

With smaller needles, cast on (98, 106, 118) [126, 138, 146] {158, 166, 178} sts.

Establish Pat St: Row 1 (RS): Knit (0, 2, 0) [0, 0, 0], {2, 0, 2}, * p2, k2; rep from * (0, 0, 2) [3, 4, 5] {6, 7, 8} times more, pm, work Row 1 of Pattern Stitch over 38 sts, pm, k2, ** p2, k2; rep from ** (2, 3, 3) [3, 4, 4] {4, 5, 5} times more, pm, work Row 1 of Pattern Stitch over 38 sts, pm, *** k2, p2; rep from *** (0, 0, 2) [3, 4, 5] {6, 7, 9} times more, knit (0, 2, 0) [0, 0, 0] {2, 0, 2}.

Row 2: Purl (0, 2, 0) [0, 0, 0] {2, 0, 2}, * k2, p2; rep from * (0, 0, 2) [3, 4, 5] {6, 7, 8} times more, sm, work Row 2 of Pattern Stitch to next marker, sm, p2, ** k2, p2; rep from ** (2, 3, 3) [3, 4, 4] {4, 5, 5} times more, sm, work Row 2 of Pattern Stitch to next marker, sm, *** p2, k2; rep from *** (0, 0, 2) [3, 4, 5] {6, 7, 9} times more, purl (0, 2, 0) [0, 0, 0] {2, 0, 2}.



Work even in pattern as established until piece measures 2½" from beginning, end on RS.

Change to larger needles.

Next Row (WS): Purl to first marker, decreasing (1, 0, 1) [0, 1, 0] {1, 0, 1} st across, sm, work in Pattern Stitch to next marker, sm, purl to next marker, sm, work in Pattern Stitch to next marker, sm, purl to end, decreasing (1, 0, 1) [0, 1, 0] {1, 0, 1} st across—(96, 106, 116) [126, 136, 146] {156, 166, 176} sts. Keeping stitches between markers in Pattern Stitch and remaining stitches in St st, work even until piece measures 5" from beginning, end on WS.

Dec Row (RS): K1, k2tog, work to last 3 sts, SSK, k1—2 sts dec'd.

Rep Dec Row every 10th row 4 times more—(88, 96, 106) [116, 126, 136] {146, 156, 166} sts. Work even until piece measures 12" from beginning, end on WS.

Inc Row (RS): K1, M1L, work to last st, M1R, k1—2 sts inc'd.

Rep Inc Row every 4th row 4 times more—(96, 106, 116) [126, 136, 146] {156, 166, 176} sts. Work even in pattern as established until piece measures 16" from beginning, end on WS.

Dec Row (RS): Knit to first marker, remove marker, knit to next marker, decreasing (7, 8, 7) [8, 7, 8] {7, 8, 7} sts across, remove marker, knit to next marker, remove marker, knit to next marker, decreasing (7, 8, 7) [8, 7, 8] {7, 8, 7} sts across, remove marker, knit to end—(82, 90, 102) [110, 122, 130] {142, 150, 162} sts. Knit 6 rows, then purl 1 row, end on WS. From here, work all sts in Double Seed St.

Shape Armholes: Bind off (4, 4, 6) [6, 8, 10] {12, 13, 14} sts at beginning of the next 2 rows—(74, 82, 90) [98, 106, 110] {118, 124, 134} sts.

Dec Row (RS): K1, k2tog, work to last 3 sts, SSK, k1—2 sts dec'd.

Rep Dec Row every RS row (6, 7, 9) [10, 12, 11] {13, 13, 16} times more—(60, 66, 70) [76, 80, 86] {90, 96, 100} sts. Work even until armholes measure (7½, 8, 8½) [8½, 9, 9] {9½, 9½, 10}" end on WS.

Shape Shoulders: Bind off (5, 6, 6) [7, 9, 10] {10, 11, 11} sts at beginning of the next 2 rows, then (5, 6, 7) [8, 8, 9] {10, 11, 12} sts at beginning of the next 4 rows. Bind off remaining 30 sts for back neck.

LEFT FRONT

With smaller straight needles, cast on (46, 50, 56) [60, 66, 70] {76, 80, 86} sts.

Establish Pat St: Row 1 (RS): Knit (0, 2, 0) [0, 0, 0] {2, 0, 2}, * p2, k2; rep from * (0, 0, 2) [3, 4, 5] {6, 7, 8} times more, pm, work Row 1 of Pattern Stitch over 38 sts, pm, ** k2, p2; rep from ** (0, 0, 0) [0, 1, 1] {1, 1, 1} time(s) more, knit (0, 2, 2) [2, 0, 0] {0, 2, 2}.

Row 2: Purl (0, 2, 2) [2, 0, 0] {0, 2, 2}, * k2, p2; rep from * (0, 0, 0) [0, 1, 1] {1, 1, 1} time(s) more, sm, work Row 2 of Pattern Stitch to last marker, sm, ** p2, k2; rep from ** (0, 0, 2) [3, 4, 5] {6, 7, 8} times more, purl (0, 2, 0) [0, 0, 0] {2, 0, 2}.

Work even in pat as established until piece measures 2½" from beg, end on RS. Change to larger needles.

Next Row (WS): Purl to first marker, work in Pattern Stitch to last marker, sm, purl to end, decreasing (0, 0, 1) [0, 1, 0] {1, 0, 1} st across—(46, 50, 55) [60, 65, 70] {75, 80, 85} sts. Keeping stitches between markers in Pattern Stitch and remaining sts in St st, work even until piece measures 5" from beginning, end on WS.

Dec Row (RS): K1, k2tog, work to end—1 st dec'd. Rep Dec Row every 10th row 4 times more—(41, 45, 50) [55, 60, 65] {70, 75, 80} sts. Work even until piece measures 12" from beginning, end on WS.

Inc Row (RS): K1, M1L, work to end—1 st inc'd.

Rep Inc Row every 4th row 4 times more—(46, 50, 55) [60, 65, 70] {75, 80, 85} sts. Work even in pattern as established until piece measures 16" from beginning, end on WS.

Dec Row (RS): Knit to first marker, remove marker, knit to last marker, decreasing (8, 7, 7) [7, 7, 7] {7, 7, 7} sts across, remove marker, knit to end—(38, 43, 48) [53, 58, 63] {68, 73, 78} sts. Knit 6 rows, then purl 1 row, end on WS. From here, work all sts in Double Seed St.

Shape Armhole and Neck: Next Row (RS): Bind off (4, 4, 6) [6, 8, 10] {12, 13, 14} sts, work to end—(34, 39, 42) [47, 50, 53] {56, 60, 64} sts. Work 1 row even.

Dec Row (RS): K1, k2tog (armhole dec), work to last 3 sts, SSK (neck dec), k1—2 sts dec'd (1 each at armhole and neck).

Working decs in this manner, continue to dec 1 st at armhole edge every RS row (6, 7, 9) [10, 12, 11] {13, 13, 16} times more. AT THE SAME TIME, dec 1 st at neck edge every 4th row (11, 12, 11) [12, 11, 12] {11, 12, 11} times more.

When all decs have been completed, work even if necessary on (15, 18, 20) [23, 25, 28] {30, 33, 35} sts until armhole measures (7½, 8, 8½) [8½, 9, 9] {9½, 9½, 10}" end on WS. Bind off (5, 6, 6) [7, 9, 10] {10, 11, 11} sts at armhole edge once, then (5, 6, 7) [8, 8, 9] {10, 11, 12} sts twice for shoulder.

RIGHT FRONT

With smaller straight needles, cast on (46, 50, 56) [60, 66, 70] {76, 80, 86} sts.

Establish Pat St: Row 1 (RS): Knit (0, 2, 2) [2, 0, 0] {0, 2, 2}, * k2, p2; rep from * (0, 0, 0) [0, 1, 1] {1, 1, 1} time(s) more, pm, work Row 1 of Pattern Stitch over 38 sts, pm, ** k2, p2; rep from ** (0, 0, 2) [3, 4, 5] {6, 7, 8} times more, knit (0, 2, 0) [0, 0, 0] {2, 0, 2}.

Row 2: (0, 2, 0) [0, 0, 0] {2, 0, 2}, * k2, p2; rep from * (0, 0, 2) [3, 4, 5] {6, 7, 8} times more, sm, work Row 2 of Pattern Stitch to last marker, sm, ** k2, p2; rep from ** (0, 0, 0) [0, 1, 1] {1, 1, 1} time(s) more, knit (0, 2, 2) [2, 0, 0] {0, 2, 2}.

Work even in pattern as established until piece measures 2½" from beginning, end on RS. Change to larger needles.

Next Row (WS): Purl to first marker, decreasing (0, 0, 1) [0, 1, 0] {1, 0, 1} st across, sm, work in Pattern Stitch to last marker, sm, purl to end—(46, 50, 55) [60, 65, 70] {75, 80, 85} sts.

Keeping stitches between markers in Pattern Stitch and remaining sts in St st, work even until piece measures 5" from beginning, end on WS.

Dec Row (RS): Work to last 3 sts, SSK, k1—1 st dec'd. Rep Dec Row every 10th row 4 times more—(41, 45, 50) [55, 60, 65] {70, 75, 80} sts. Work even until piece measures 12" from beginning, end on WS.

Inc Row (RS): Work to last st, M1R, k1—1 st inc'd. Rep Inc Row every 4th row 4 times more—(46, 50, 55) [60, 65, 70] {75, 80, 85} sts.

Work even in pattern as established until piece measures 16" from beginning, end on WS.

Next Row (RS): Knit to first marker, remove marker, knit to last marker, decreasing (8, 7, 7) [7, 7, 7] {7, 7, 7} sts across, remove marker, knit to end—(38, 43, 48) [53, 58, 63] {68, 73, 78} sts.

Knit 6 rows, purl 1 row, work 1 row Double Seed St, end on RS. From here, work all sts in Double Seed St.

Shape Armhole and Neck: Next Row (WS): Bind off (4, 4, 6) [6, 8, 10] {12, 13, 14} sts, work to end—(34, 39, 42) [47, 50, 53] {56, 60, 64} sts.

Dec Row (RS): K1, k2tog, work to last 3 sts, SSK, k1—2 sts dec'd (1 each at armhole and neck).

Working decs in this manner, continue to dec 1 st at armhole edge every RS row (6, 7, 9) [10, 12, 11] {13, 13, 16} times more. AT THE SAME TIME, dec 1 st at neck edge every 4th row (11, 12, 11) [12, 11, 12] {11, 12, 11} times more.

When all decs have been completed, work even if necessary on (15, 18, 20) [23, 25, 28] {30, 33, 35} sts until armhole measures (7½, 8, 8½) [8½, 9, 9] {9½, 9½, 10}" end on RS. Bind off (5, 6, 6) [7, 9, 10] {10, 11, 11} sts at armhole edge once, then (5, 6, 7) [8, 8, 9] {10, 11, 12} sts twice for shoulder.

SLEEVES

With smaller straight needles, cast on (46, 46, 46) [50, 50, 50] {54, 54, 54} sts.

Ribbing: Row 1 (RS): K2, * p2, k2, rep from * across.

Row 2: P2, * k2, p2, rep from * across. Rep these 2 rows until sleeve measures 3" from beginning, end on WS.

Change to larger needles and work even in St st until sleeve measures (4, 4, 4) [4, 4, 4] {4, 4, 3½}" from beginning, end on WS.

Inc Row (RS): K2, M1L, k to last 2 sts, M1R, k1—2 sts inc'd.

Rep this inc every (14th, 10th, 6th) [6th, 6th, 4th] {4th,

4th, 4th} row (6, 8, 11) [11, 14, 16] {17, 19, 22} times more—(60, 64, 70) [74, 80, 84] {90, 94, 100} sts. Work even until sleeve measures 18" from beginning, end on WS.

Shape Cap: Bind off (4, 4, 6) [6, 8, 10] {12, 13, 14} sts at beginning of the next 2 rows—(52, 56, 58) [62, 64, 64] {66, 68, 72} sts.

Dec Row (RS): K1, k2tog, k to last 3 sts, SSK, k1—2 sts dec'd.

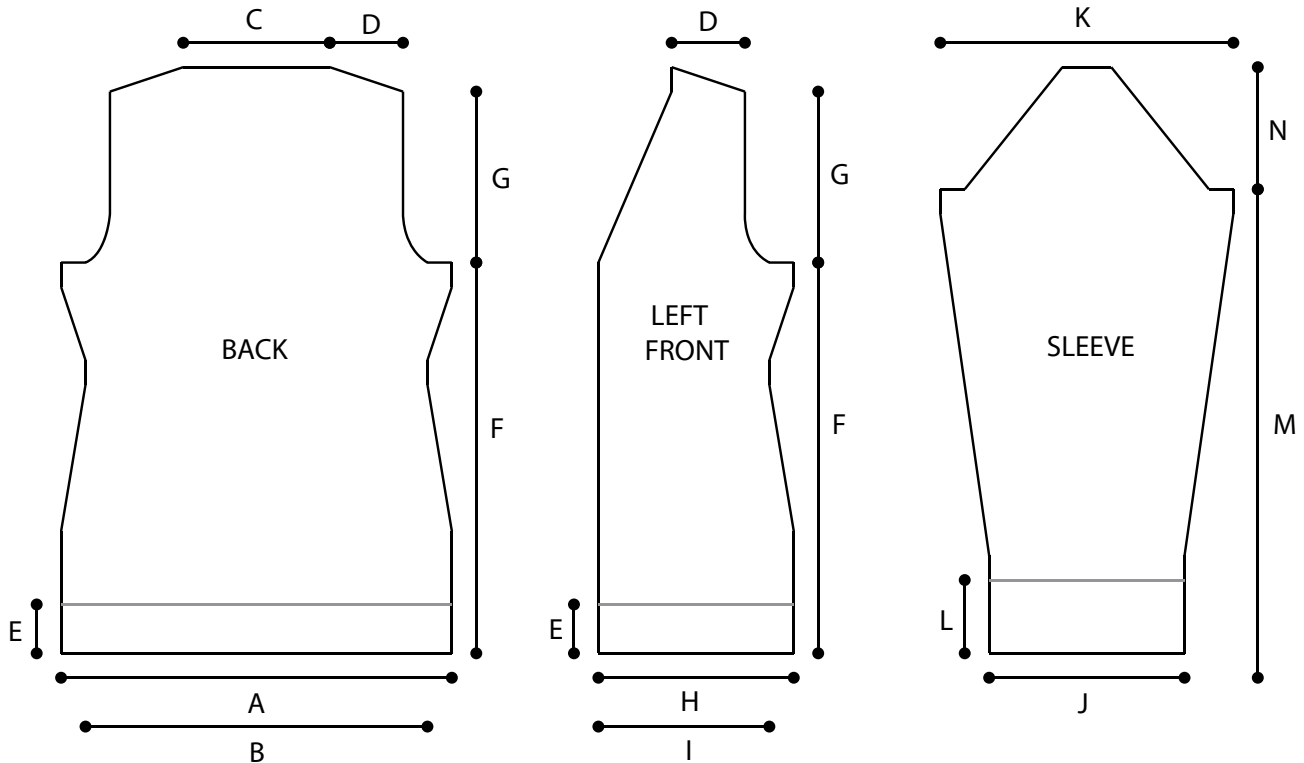
Rep Dec Row every RS row (20, 22, 22) [22, 23, 23] {23, 23, 25} times more, end on WS—(10, 10, 12) [16, 16, 16] {18, 20, 20} sts. Bind off remaining sts.

FINISHING

Sew shoulder seams.

Left Front/Neckband: With RS facing, using circular needle, beg at center back neck, pick up and knit (118, 122, 126) [126, 130, 130] {134, 134, 138} sts to cast-on edge of left front. Beg with Row 2, work in ribbing same as sleeves for 1", end on WS. Knit 1 row, purl 1 row. Bind off knitwise. Mark placement of 6 buttons, the first 1" from lower edge, the last at beg of neck and the others evenly spaced between.

Right Front/Neckband: With RS facing, using circular needle, beg at cast-on edge of right front, pick up and knit (118, 122, 126) [126, 130, 130] {134, 134, 138} sts to center of back neck. Beg with Row 2, work in ribbing same as sleeves for ½", end on WS. Make buttonholes on the next row opposite markers as k2tog, yo. Complete same as left front/neckband. Sew ends of front/neckbands tog at center back neck. Sew in sleeves. Sew side and sleeve seams. Sew on buttons. Weave in all ends and block as desired.



DRIFT MEASUREMENTS

A (Back Bust Width): (16, 18, 20) [22, 24, 26] {28, 30, 32}"

B (Back Waist Width): (14, 16, 18) [20, 22, 25] {26, 28, 30}"

C (Back Neck Width): 6"

D (Shoulder Width): (3, 3½, 4) [4½, 5, 5½] {6, 6½, 7}"

E (Lower Ribbing Length): 2½"

F (Length to Underarms): 16"

G (Armhole Length): (7½, 8, 8½) [8½, 9, 9] {9½, 9½, 10}"

H (Front Bust Width): (7½, 8½, 9½) [10½, 11½, 12½] {13½, 14½, 15½}"

I (Front Waist Width): (6½, 7½, 8½) [9½, 10½, 11½] {12½, 13½, 14½}"

J (Sleeve Cuff Width): (9, 9, 9) [10, 10, 10] {10¾, 10¾, 10¾}"

K (Upper Sleeve Width): (12, 113, 14) [15, 16, 17] {18, 19, 20}"

L (Sleeve Cuff Length): 3"

M (Sleeve Length): 18"

N (Sleeve Cap Length): (6½, 7, 7) [7, 7½, 7½] {7½, 7½, 8}"

ABBREVIATIONS & TERMS

Knit

beg: beginning

CC: contrasting color

cdd (centered double decrease): Slip 2 together, knit 1, pass the 2 slipped stitches over.

cn: cable needle

cont: continue

dec: decrease

dpn: double pointed needles

est: established

inc: increase

K: knit

k tbl: knit through the back loop(s)

k2tog: Knit 2 stitches together

k3tog: Knit 3 stitches together

LH: left hand

MC: main color

M1: Pick up horizontal strand between stitch just worked and next stitch from front to back, place on left hand needle, knit this stitch through the back (1 stitch increased).

M1L: Work as for M1.

M1p: Pick up horizontal strand between stitch just worked and next stitch from front to back, place on left hand needle, purl this stitch through the back (1 stitch increased).

M1pL: Work as for M1p.

M1pR: Pick up horizontal strand between stitch just worked and next stitch from back to front, place on left hand needle, purl this stitch through the front (1 stitch increased).

M1R: Pick up horizontal strand between stitch just worked and next stitch from back to front, place on left hand needle, knit this stitch through the front (1 stitch increased).

p: purl

p tbl: purl through the back loop(s)

pat(s): pattern(s)

pm: place marker

pssso: pass slip stitch over knit stitch

p2tog: purl 2 stitches together

p2sso: pass 2 slip stitches over knit stitch

p3tog: purl 3 stitches together

rem: remaining

rep: repeat

RH: right hand

rnd(s): round(s)

RS: right side

sl: slip

sm: slip marker

SSK: Slip 2 stitches knitwise, insert point of left hand needle through fronts of these 2 stitches and knit 2 together.

SSP: Slip 2 stitches knitwise, transfer these 2 stitches back to left hand needle, purl 2 together through the back loops.

st(s): stitch(es)

TBL: through back loop(s)

tog: together

WS: wrong side

wyib: with yarn in back

wyif: with yarn in front

yo: yarn over

end on WS: end having just completed a Wrong Side row.

end on RS: end having just completed a Right Side row

STOCKINETTE ST (St st): Knit 1 row, purl 1 row alternately when working on straight needles. The knit side is the right side of work. Knit EVERY round when working in the round on a circular needle.

Reverse St st (Rev St st): Purl 1 row, knit 1 row alternately when working on straight needles. The purl side is the right side of the work. Purl EVERY round when working in the round on a circular needle.

GARTER ST: Knit EVERY row when working on straight needles. Knit 1 round, purl 1 round when working on a circular needle.

Crochet

ch: chain

dc: double crochet

hdc: half double crochet

sc: single crochet

sl st: slip stitch

sp: space

tr: treble